



Model IR-522

Non-dispersive Infrared Optical Combustible gas sensor



Description

Model IR-522 sensors are non-intrusive "Smart" sensors designed to detect and monitor Combustible Hydrocarbons over the range of 0-100% LEL (lower explosive limit).

The sensor assembly consists of a miniature infrared optical sensor in a stainless steel housing that includes a splash-guard with integral calport, a plug-in control transmitter circuit, a base connector board and an explosion proof enclosure.

Features

- CSA and UL Approved: Class I, Division 1, Groups B, C, & D
- Simple menu driven calibration - takes less than 3 minutes
- Backlit LCD and LED indicators for FAULT and CAL status
- Unique miniature field-replaceable optical sensor
- Plug-in field-replaceable transmitter
- Low power consumption
- 5-year expected sensor life



Model IR-522

Combustible Gas Sensor

System Specifications

Sensor Type

Non-dispersive Infrared Optical (NDIR)

Measurement Range

0-100% (lower explosive limit) LEL

Accuracy/Repeatability

±3% full scale 0-50% LEL

±5% full scale 50-100% LEL

Response/Clearing Time

T90 <30 seconds

Zero Drift

<5% per year

Operating Temperature Range

-40°C to +40°C; -40°F to 104°F (CANADA)

-25°C to +40°C; -13°F to 104°F (USA)

Operating Humidity Range

0-99% RH non-condensing

Outputs

Linear 4-20 mA DC

Input Voltage

11.5-28 VDC

Power Consumption

<2 watts @ 24 VDC

Electrical Classification

Explosion proof

Class I, Division 1, Groups B, C, D

Safety Approvals

CSA/NRTL (US OSHA Certified)

Ingress Protection

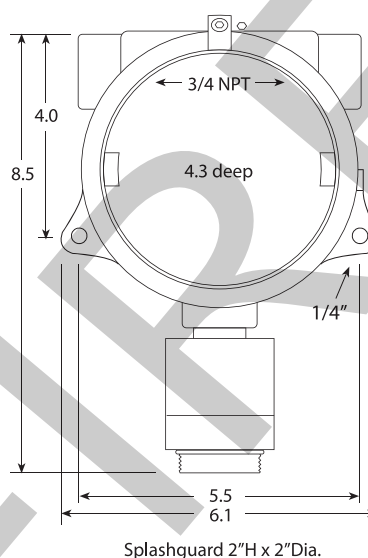
NEMA 4X, IP66

Sensor Life/Warranty

Sensor: 5 year warranty pro-rated

Transmitter: 2 year warranty

Dimensions



Order Guide

PN 965-225420-100 Model IR-522 in Aluminum Junction Box

PN 965-22542B-100 Model IR-522-316SS in Stainless Steel Junction Box



TELEDYNE
GAS AND FLAME DETECTION
Everywhereyoulook™

AMERICAS
4055 Technology Forest Blvd.
The Woodlands, Texas USA.
TX 77381
Tel.: +1-713-559-9200
Fax: +1-713-893-6729

EMEA
ZI Est, Rue Orfila,
CS 20417
62027 ARRAS CEDEX, France
Tel.: +33-3-21-60-80-80
Fax: +33-3-21-60-80-00

ASIA PACIFIC
290 Guiqiao Road
Pudong, Shanghai 201206
People's Republic of China
Tel.: +86-21-3127-6373
Fax: +86-21-3127-6365