



MODEL DM-634

Oxygen sensor assembly



Description

Model DM-634 sensors are non-intrusive "Smart" sensors designed to monitor ambient air for concentrations of Oxygen in the range 0-25% by volume. The sensor assembly consists of a sensor in a stainless steel housing that includes a splashguard with integral cal port, a plug-in control transmitter circuit, a base connector board and an explosion proof enclosure.

Features

- CSA-NRTL Approved: Class I, Division 1, Groups B, C, & D
- Compatible with PLCs, SCADA, DCS, via 4-20 mA, and/or RS-485, and/or alarm relays
- Sensor status and parameters accessible via RS-485 (Modbus™)
- Menu programmable relays standard (two alarms plus fault)
- Simple menu driven calibration - less than 3 minutes
- Backlit LCD, and LED indicators for Fault, and Cal status
- Plug-in field-replacable transmitter
- Electrochemical plug-in sensor
- Embedded temperature compensation provides direct correction to changes in ambient temperature
- 2-year expected sensor life in air with 20.9% Oxygen

Order guide

PN 966-344520- 025
PN 966-34542B- 025

Model IR-634 in Aluminum Junction Box
Model IR-634 in Stainless Steel Junction Box

Specifications

Sensor Type
Galvanic Metal Air Battery

Response/Clearing Time
Galvanic Metal Air Battery

Operating Temperature Range
-20°C to +50°C; -4°F to +122°F

Input Voltage
22-28 VDC

Ingress Protection
NEMA 4X, IP66

Measurement Range
0-25% Oxygen

Span Drift
<5% signal loss per year in first two years

Operating Humidity Range
0-99% RH non-condensing

Power Consumption
<2.1 watts @ 24 VDC

Safety Approvals
CSA/NRTL (US OSHA Certified)

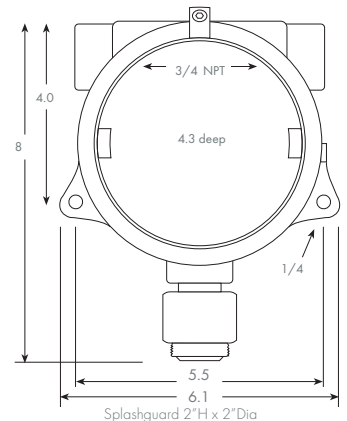
Accuracy/Repeatability
±2% FS

Linearity
± 0.5% FS

Output
Linear 4-20 mA DC
RS-485 Modbus™
3 Relays (alarm 1, alarm 2, & fault)
Contacts rated 5 amps

Electrical Classification
Explosion proof
Class I, Division 1, Groups B, C, D

Sensor Life/Warranty
Sensor: 2 year expected life
Sensor: 2 year warranty
Transmitter: 2 year warranty



Teledyne Gas & Flame Detection quality assurance programmes demand the continuous assessment and improvement of all our products. Information in this leaflet could thus change without notification and does not constitute a product specification. For more information, please contact us or your company representative