



Model IR-540

Non-dispersive Infrared Optical Carbon Dioxide Sensor



Description

Model IR-540 sensors are non-intrusive "Smart" sensors designed to detect and monitor Carbon Dioxide. Available ranges of detection are 0-0.3%, 0-1%, 0-3% and 0-5% by volume.

The sensor assembly consists of a miniature infrared optical sensor in a stainless steel housing that includes a splashguard with integral cal port, a plug-in control transmitter circuit, a base connector board and an explosion proof enclosure.

Features

- cCSAus approved: Class I, Division 1, Groups B, C, & D
- Simple menu driven calibration - takes less than 3 minutes
- Backlit LCD and LED indicators for FAULT and CAL status
- Unique miniature field-replaceable optical sensor
- Plug-in field-replaceable transmitter
- Low power consumption
- 5-year expected sensor life



Model IR-540

Carbon Dioxide Sensor

System Specifications

Sensor Type

Non-dispersive Infrared Optical (NDIR)

Measurement Range

0 - 0.3%/0 - 1%/0 - 3%/0 - 5% by volume

Accuracy/Repeatability

±5% full scale

Response/Clearing Time

T50 <15 seconds

T90 <40 seconds

Zero Drift

<0.05% per year

Ambient Operating Temperature Range

-40°C to +40°C; -40°F to 104°F (CANADA)

-25°C to +40°C; -13°F to 104°F (USA)

Operating Humidity Range

0-99% RH non-condensing

Outputs

Linear 4-20 mA DC

Input Voltage

11.5-28 VDC

Power Consumption

<2 watts @ 24 VDC

Electrical Classification

Explosion proof

Class I, Division 1, Groups B, C, D

Safety Approvals

CSA/NRTL (US OSHA Certified)

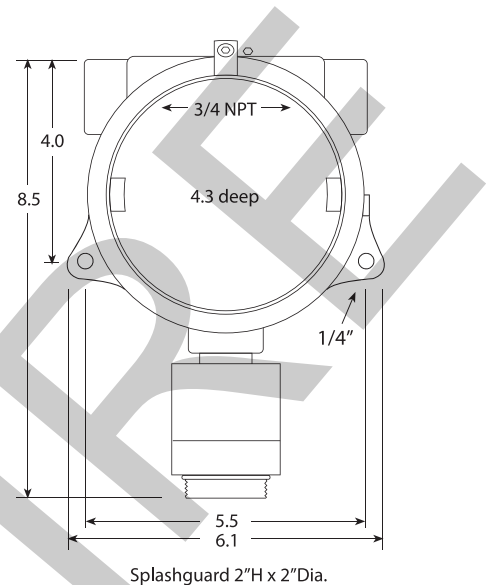
Ingress Protection

NEMA 4X, IP66

Sensor Life/Warranty

Sensor: 5 year warranty pro-rated

Dimensions



Order Guide

PN 965-415420-___ Model IR-540 in Aluminum Junction Box

PN 965-41542B-___ Model IR-540-316SS in Stainless Steel Junction Box

Complete the part number by choosing range

005 = 5%

003 = 3%

001 = 1%

0X3 = 0.3%

Teledyne Detcon quality assurance programmes demand the continuous assessment and improvement of all Teledyne Detcon products. Information in this leaflet could thus change without notification and does not constitute a product specification. Please contact us or our representative if you require more details.



AMERICAS

4055 Technology Forest Blvd.
The Woodlands, Texas USA.
TX 77381
Tel.: +1-713-559-9200
Fax: +1-713-893-6729

EMEA

ZI Est, Rue Orfila,
CS 20417
62027 ARRAS CEDEX, France
Tel.: +33-3-21-60-80-80
Fax: +33-3-21-60-80-00

ASIA PACIFIC

290 Guiqiao Road
Pudong, Shanghai 201206
People's Republic of China
Tel.: +86-21-3127-6373
Fax: +86-21-3127-6365